

668 E

ISEO Zero1

ELECTRONIC SOLUTIONS

INDEX

CODES	1
DIMENSIONS	2
REVERSIBILITY OF THE LATCH	3
FIXING THE CYLINDER	4
INSTALLATION'S EXAMPLES	5
ASSEMBLING CYLINDER'S ESCUTCHEON	6
WARNINGS	7



ELECTRONIC SUPPORT SERVICE
www.iseozero1.com

Non contractual document.
Subject to change.
Documento non contrattuale.
Con riserva di modifica.
Code: 60000668E0013A.
Installation manual 668 E lock.
(Gb) Rev. 001 data 12/12/2013

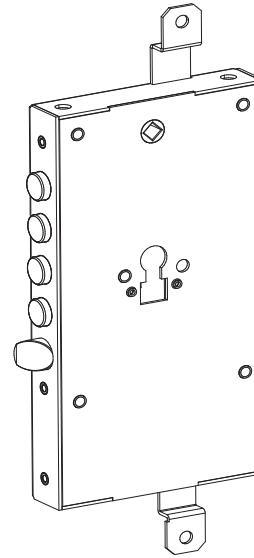
1. CODES

LEGEND:

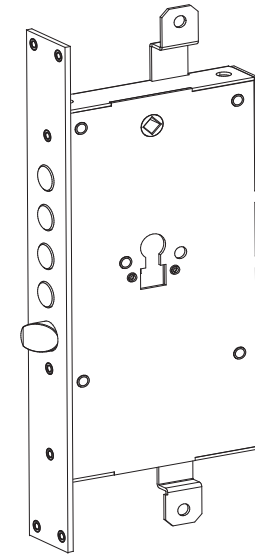
S = piston protrusion

I = piston centres

CP = product code

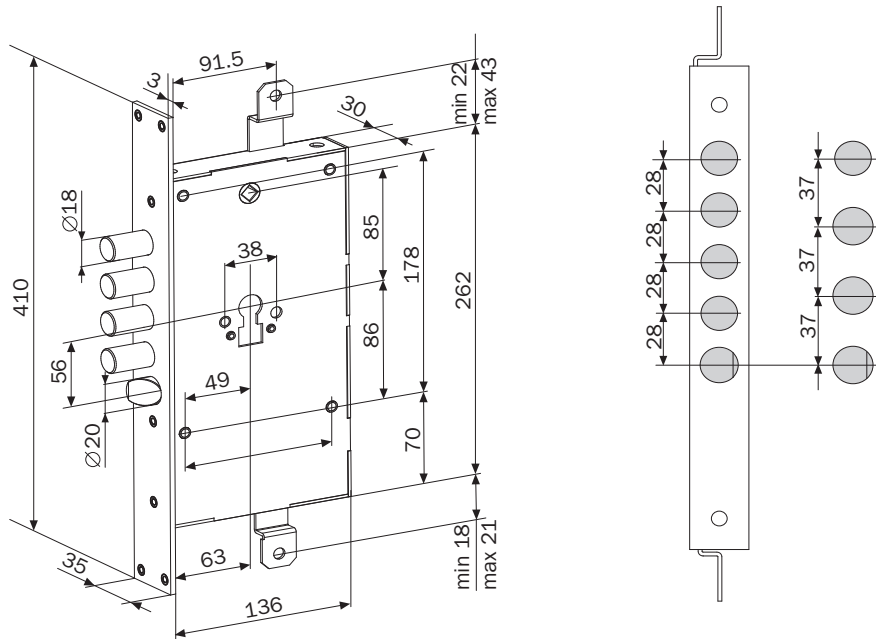


S	I	CP
3	28	0668.0328E
13	28	0668.1328E
3	37	0668.0337E
13	37	0668.1337E

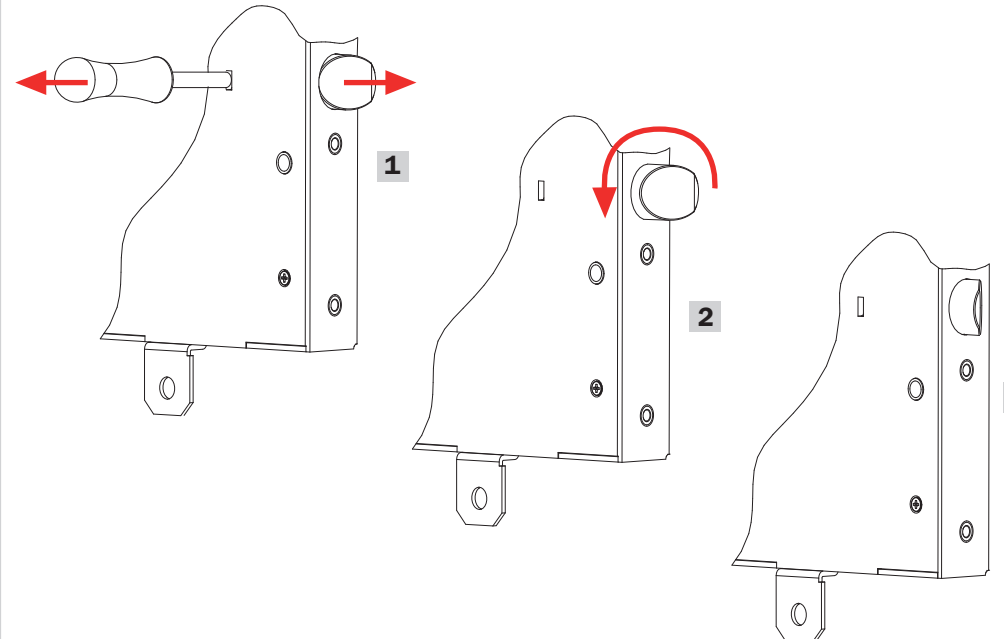


S	I	CP
0	28	0678.0328E
0	37	0678.0337E

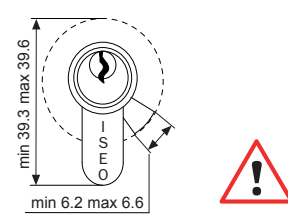
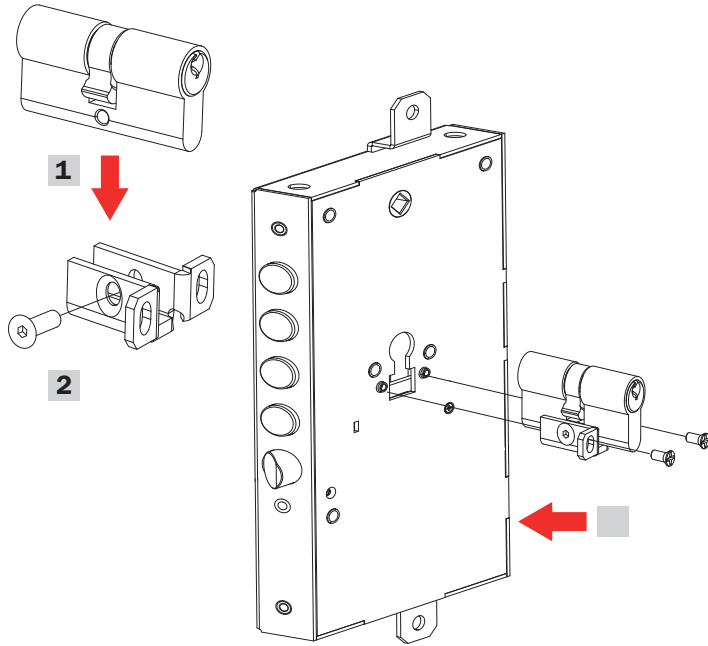
2. DIMENSIONS



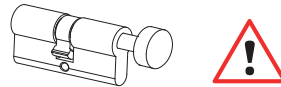
3. REVERSIBILITY OF THE LATCH



4. FIXING THE CYLINDER



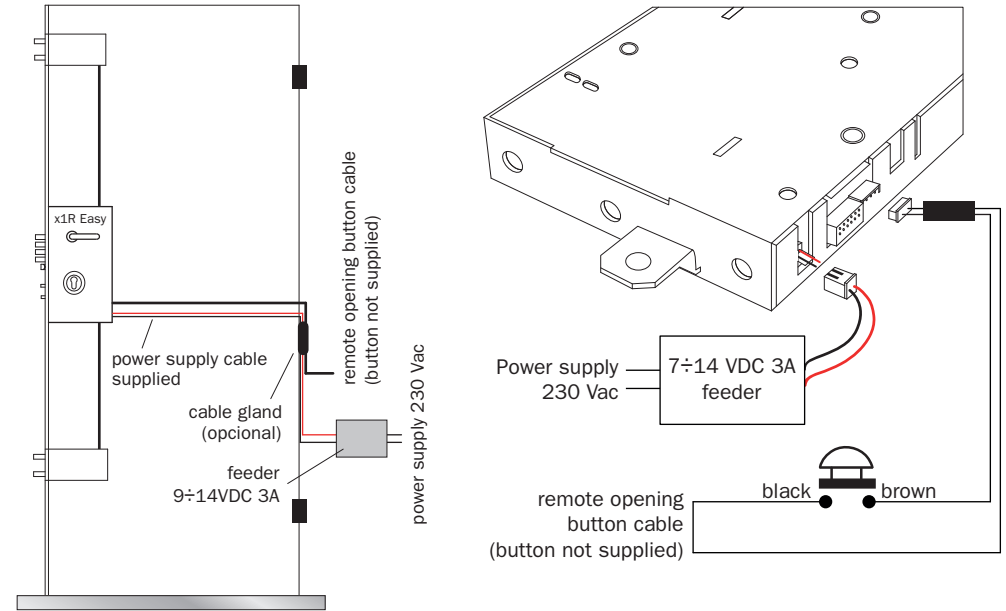
The x1R Easy lockworks correctly when using cylinders with standardised profile cams of the size indicated here.



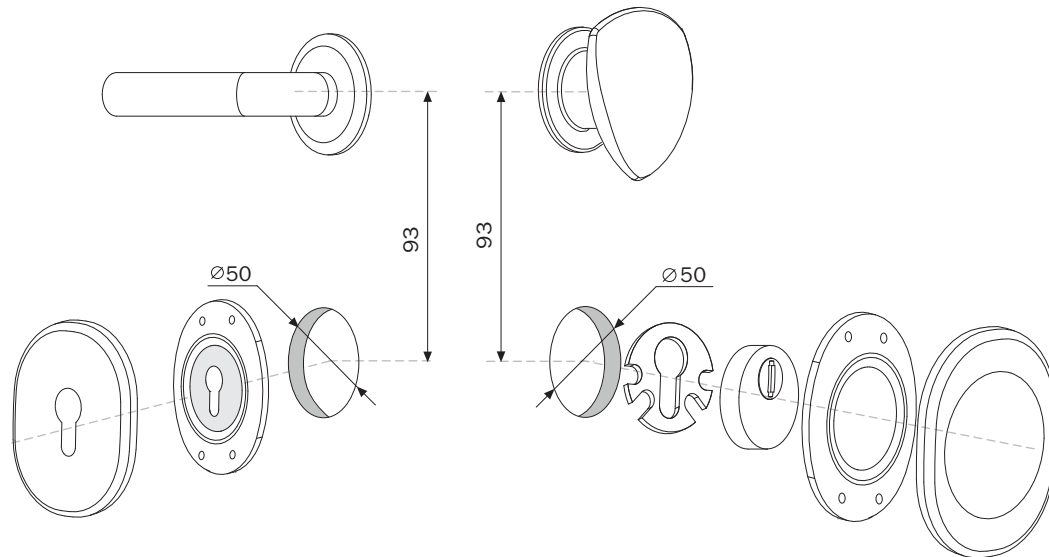
When used with cylinder with knobs, make sure that after the cylinder has been turned the cam does not remain engaged, which will cause the motor to rotate in neutral.

5. INSTALLATION'S EXAMPLES

Installation with power supply



6. ASSEMBLING CYLINDER'S ESCUTCHEON



7. WARNINGS



- When using the cable for the “remote opening button” use a cable gland to allow the cables to pass through the hinge side of the door.
- Do not connect the opening button input (black/brown wires) directly to power supply sources.
- Use a normally open button (clean contacts) as a “remote opening button”. The opening command must have a duration of less than 1,5 sec.
- If the distance between the remote opening button and the door is more than 5 meters, use a relay (normally open common contact) positioned near the lock and not more than 5 meters from it.
- When using a feeder as a direct power supply source (7±14VDC 3A), fit a cable gland to allow the cable to pass through the hinge side of the door.
- Do not work on the door with the lock installed in order to prevent wood or metal residue getting into the lock.
- The product can be destined only for the use for which it was expressly made and, therefore, as a door lock for civil and industrial locations. Any other use is to be considered improper and dangerous.